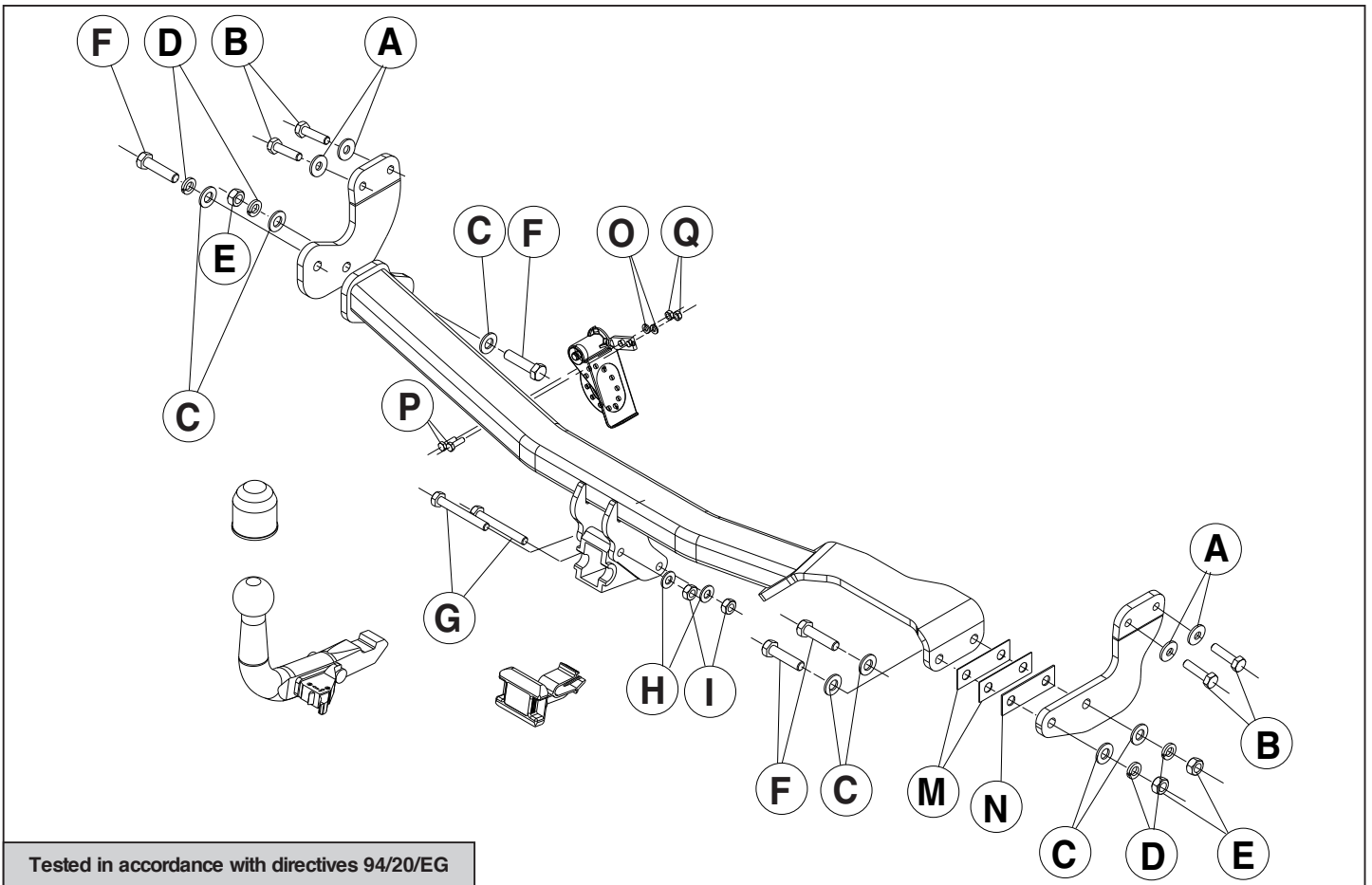

Fitting instructions

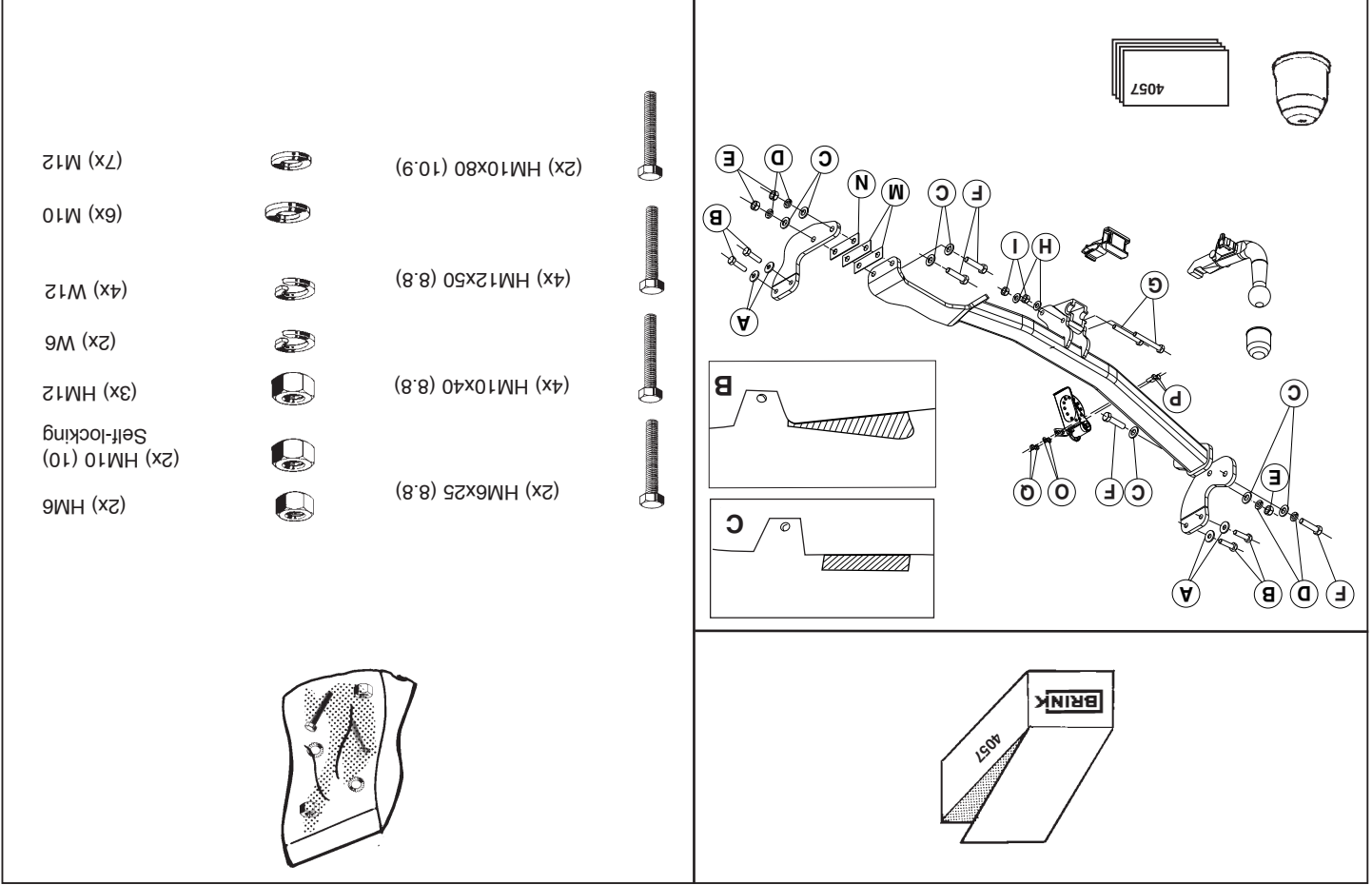
Make: Citroën
C3; 2001->

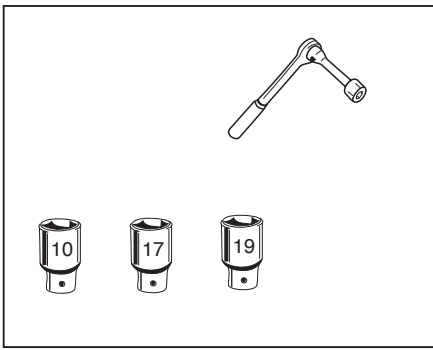
Type: 4057



Tested in accordance with directives 94/20/EG

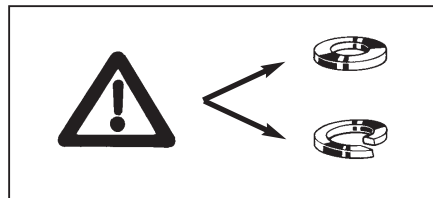
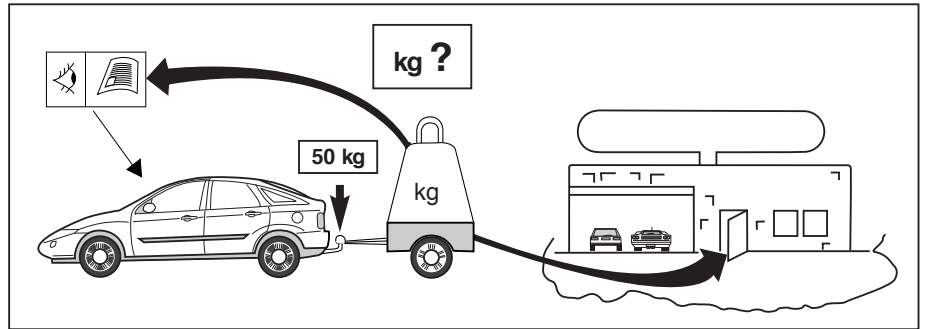
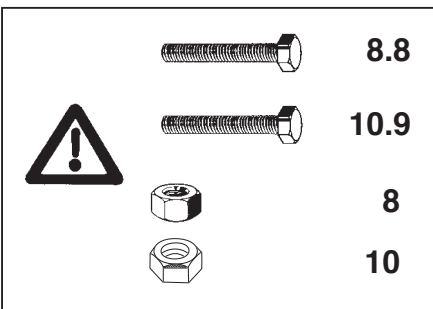
© 405770/28-01-2010/1



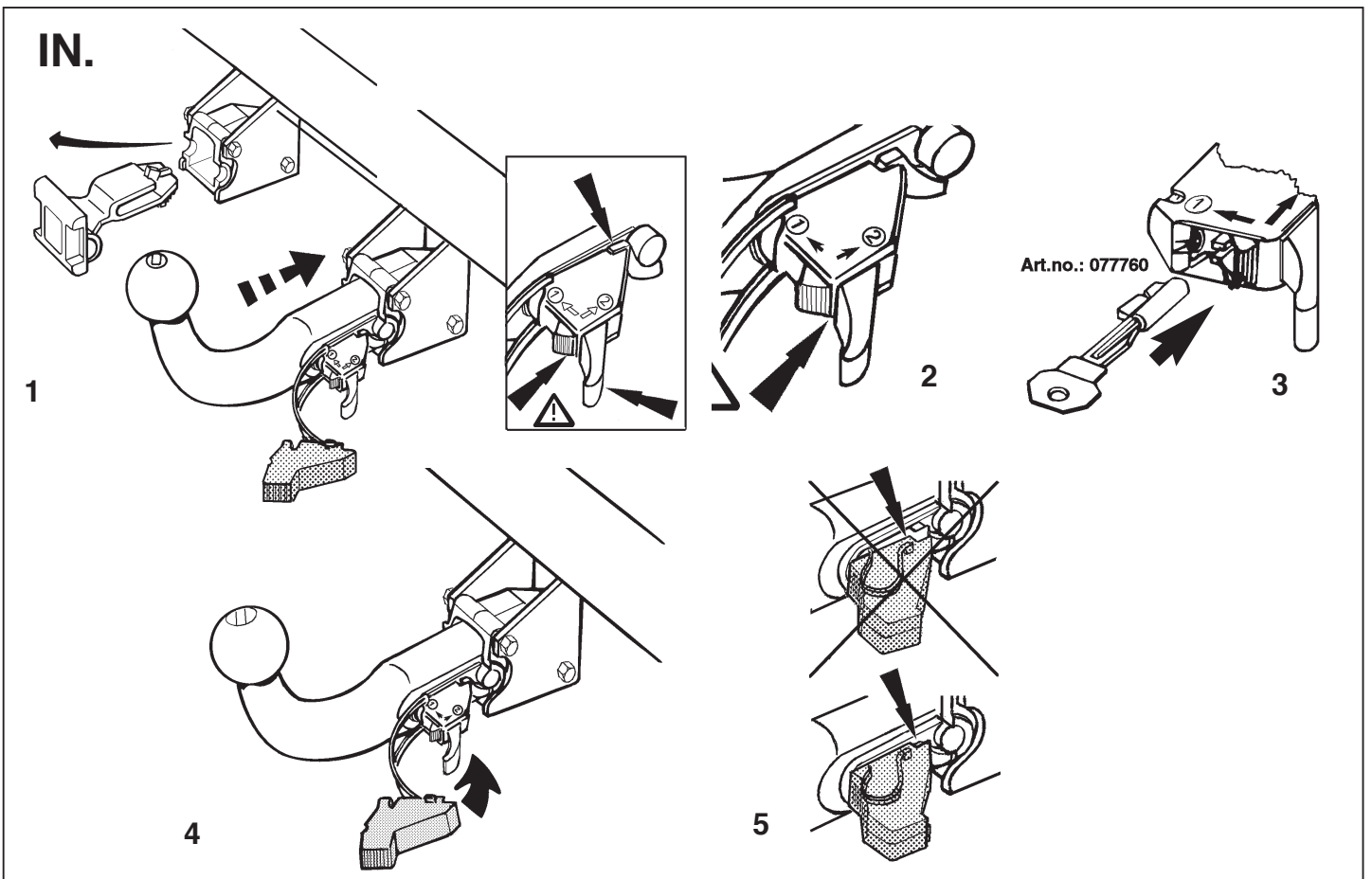


D-value

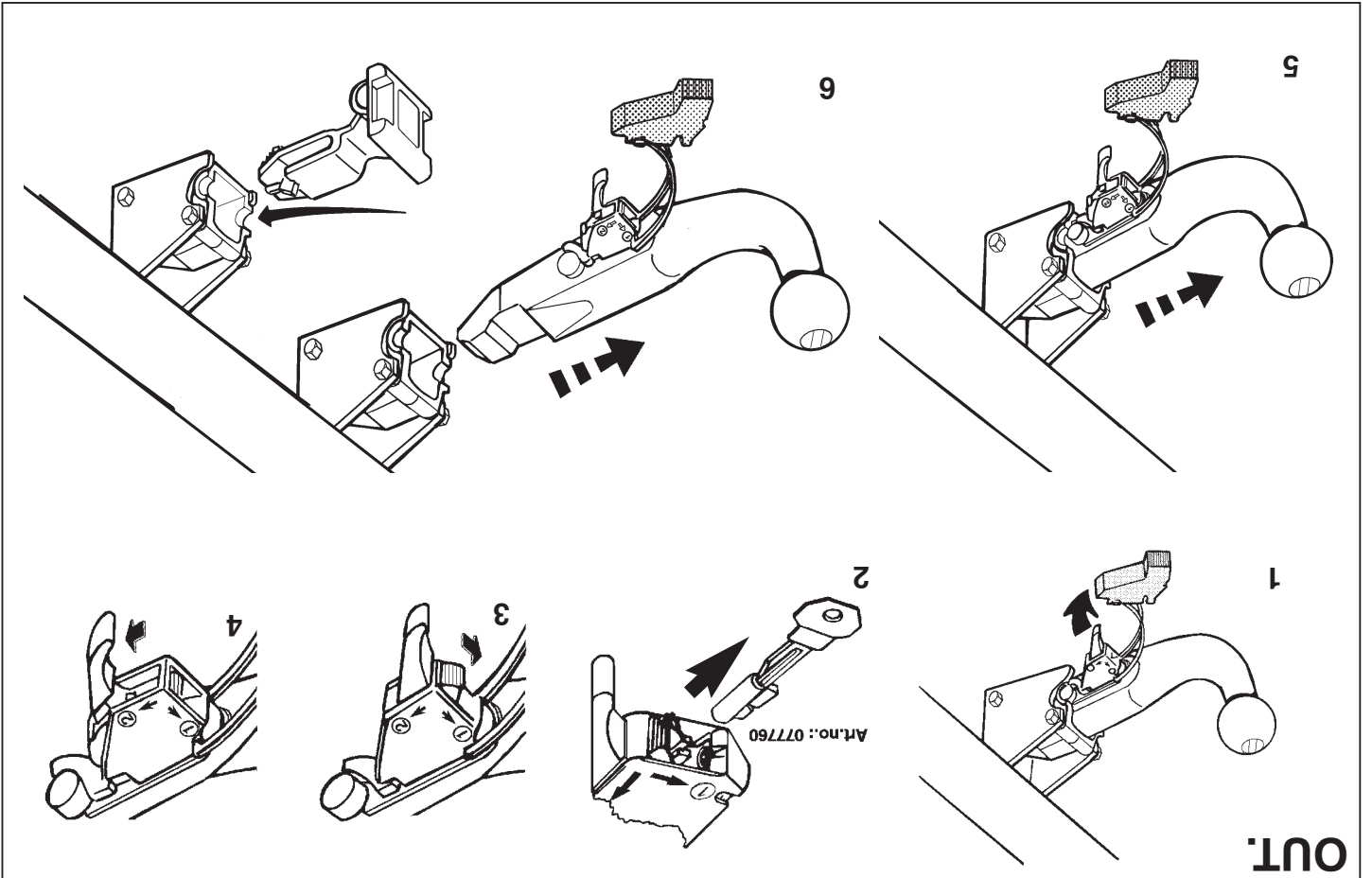
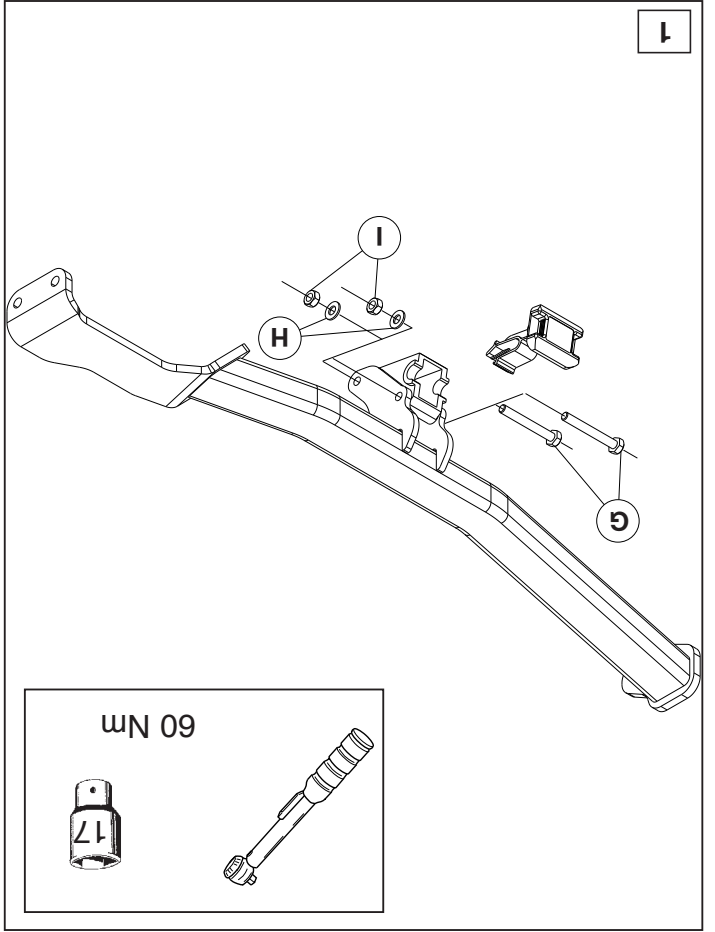
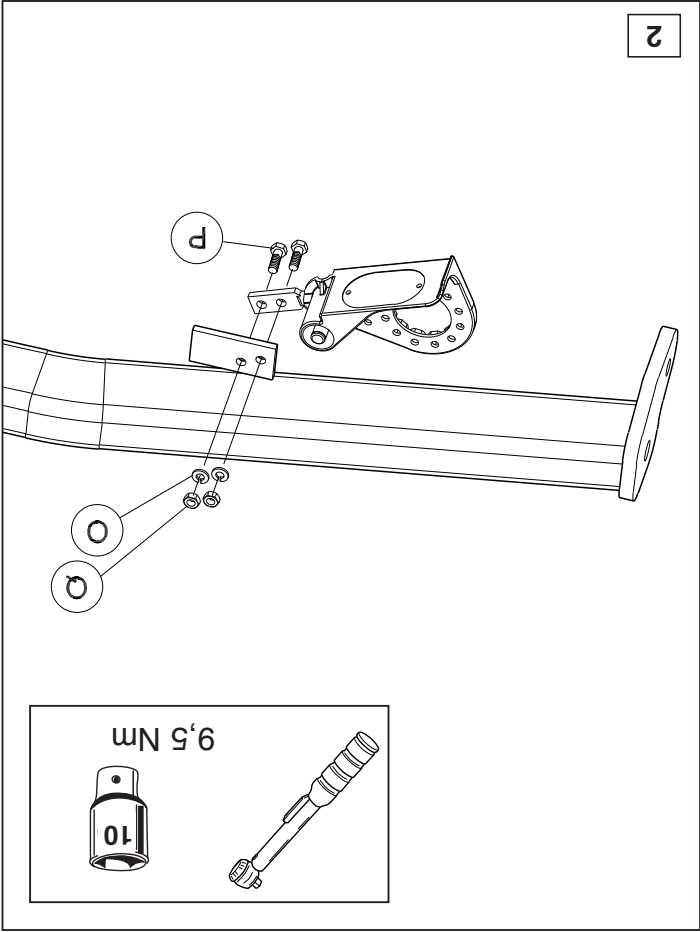
$$D = \frac{\left(\frac{K_{IG} \max}{K_{IG} \max} \right) \times \left(\frac{K_{IG} \max}{K_{IG} \max} \right) \times 9.81}{1000} = 6.6 \text{ kN}$$

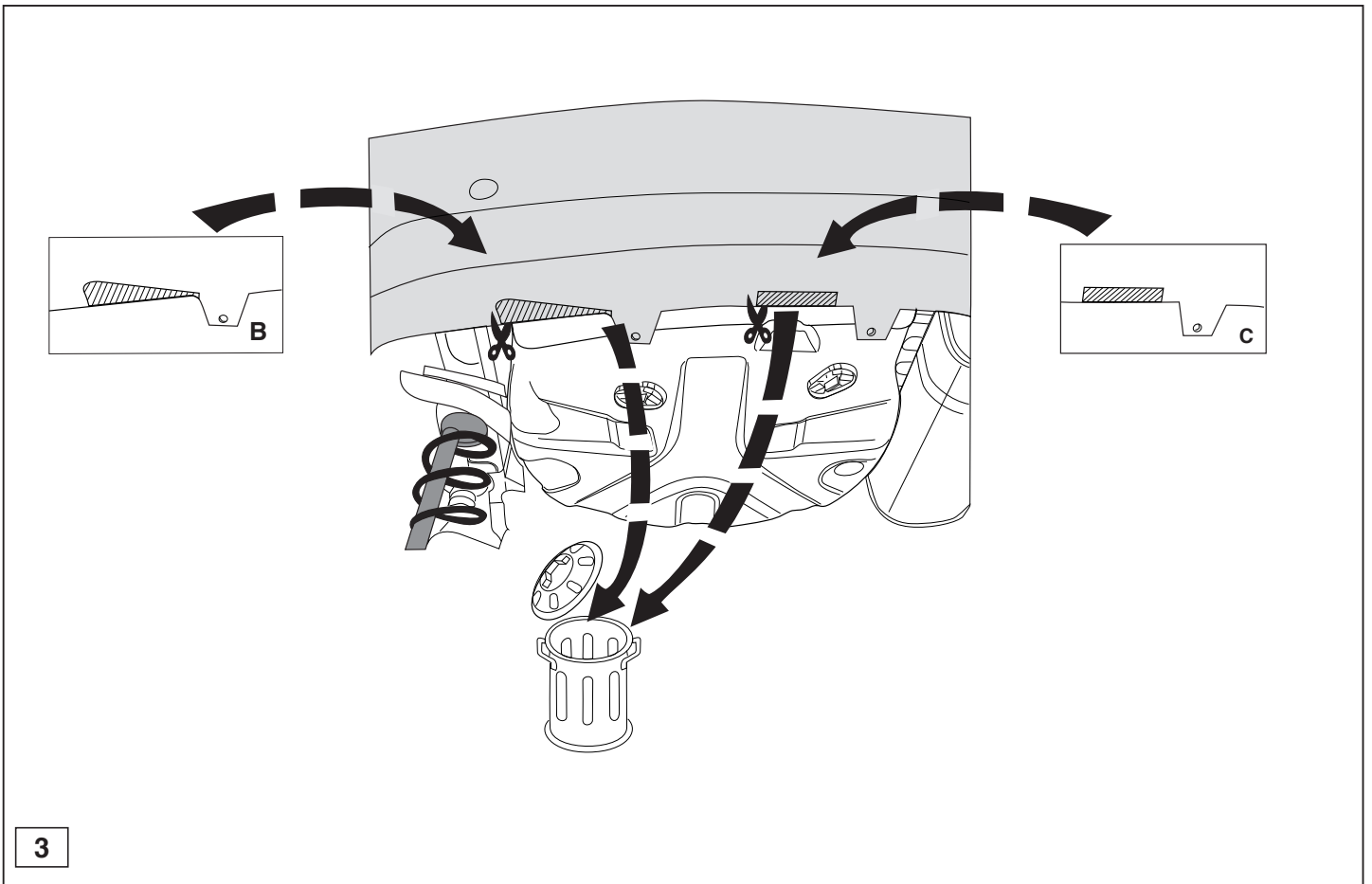


© 405770/28-01-2010/3

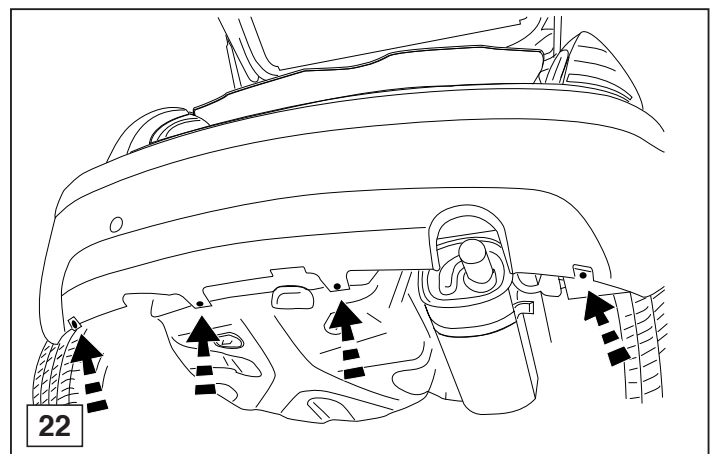
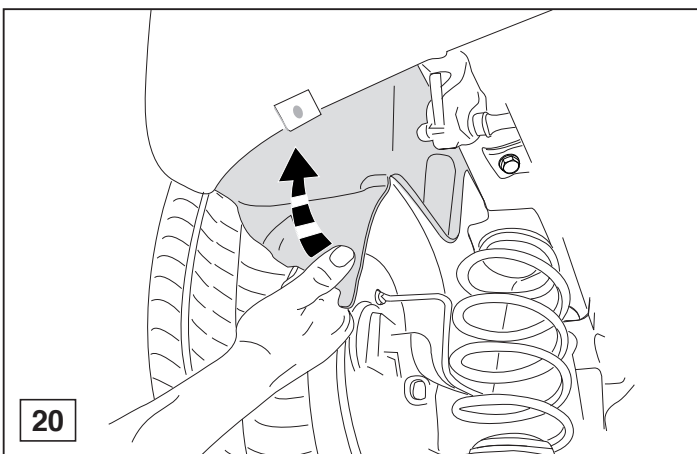
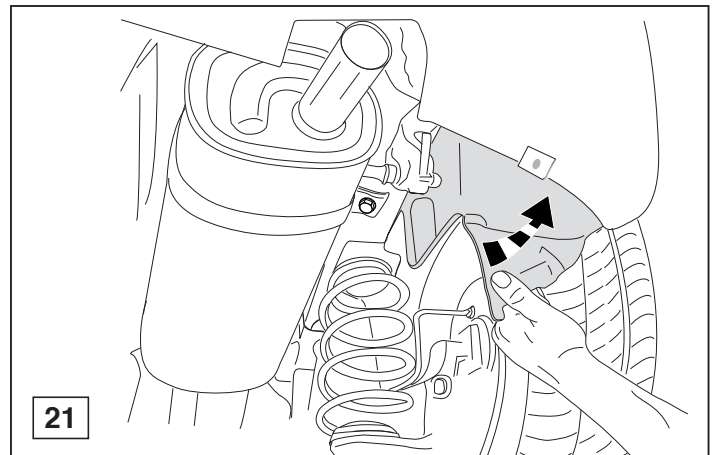
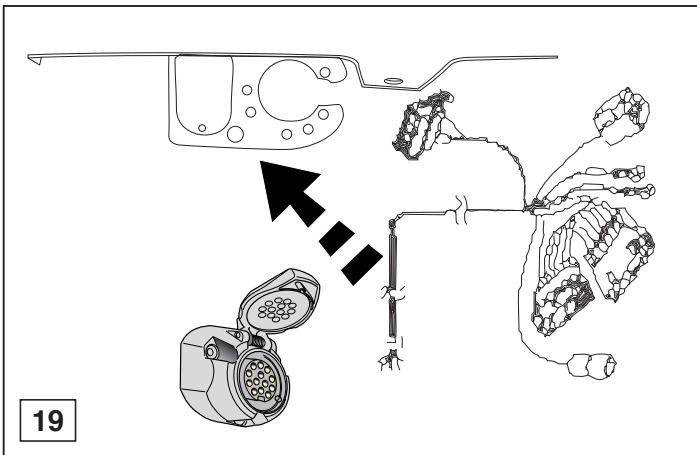


© 405770/28-01-2010/12

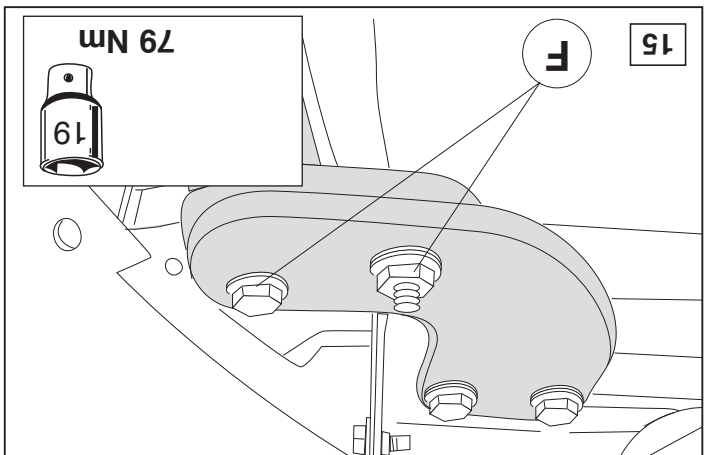
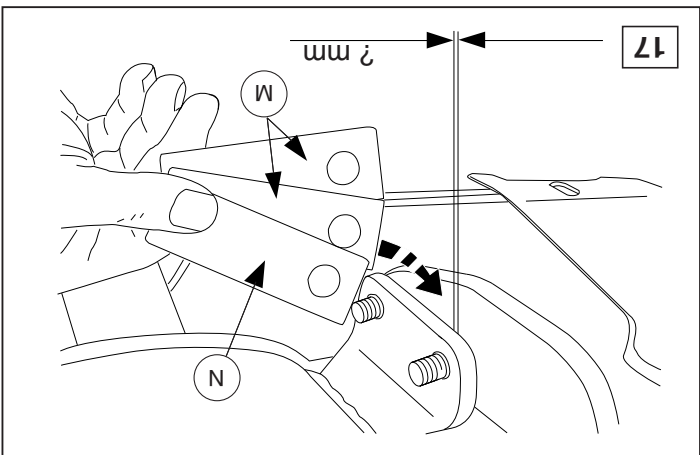
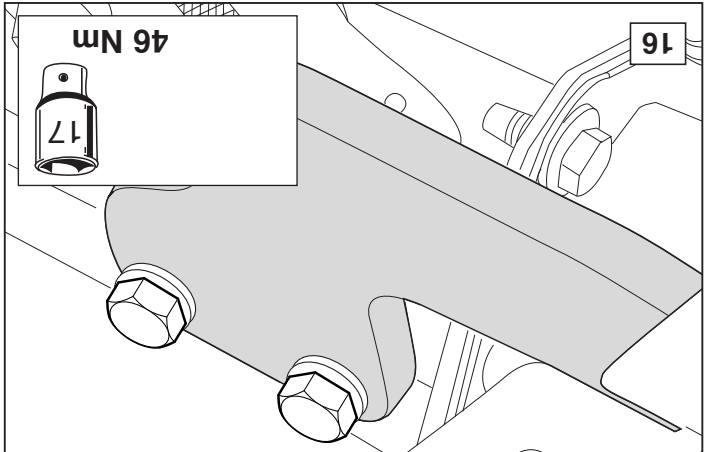
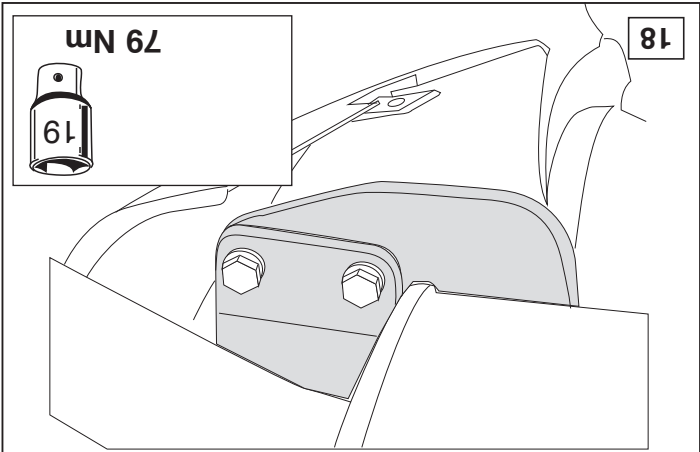
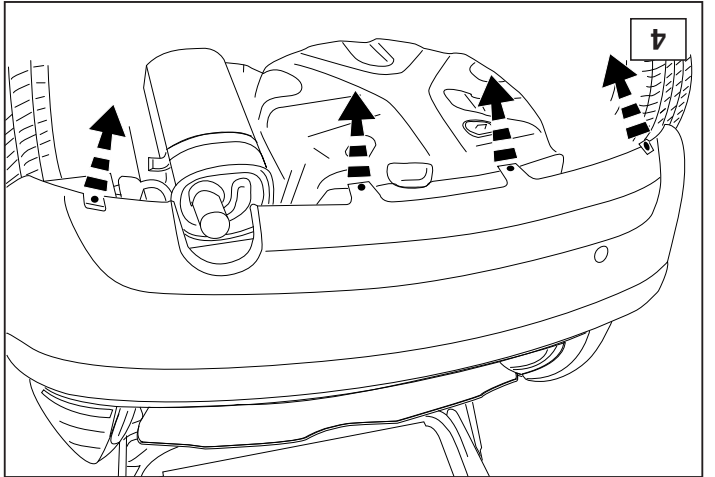
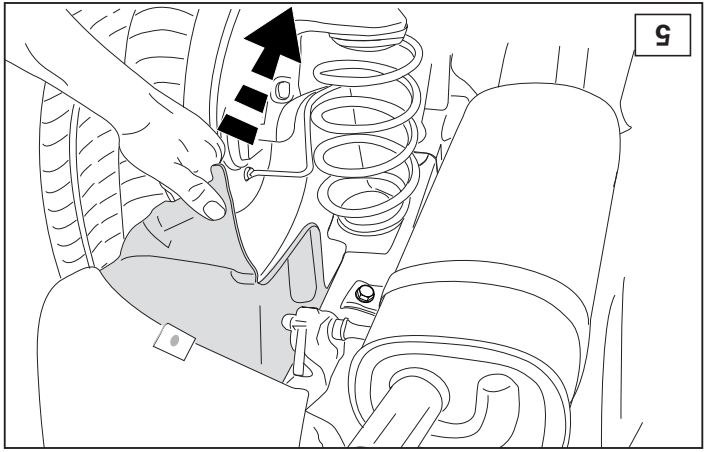
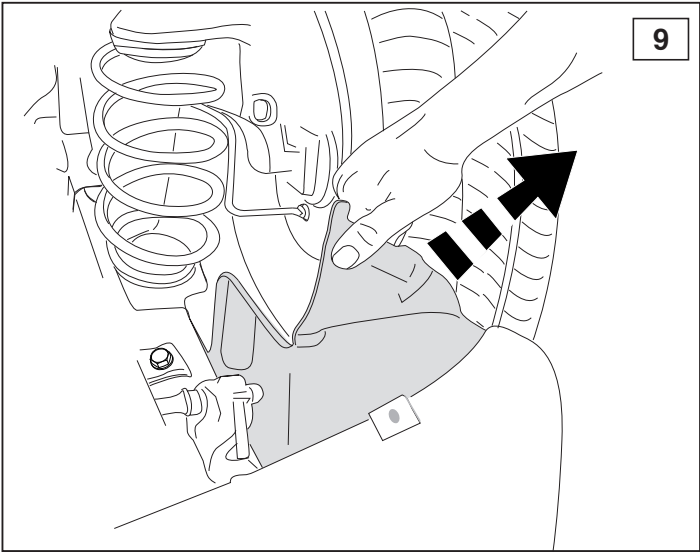


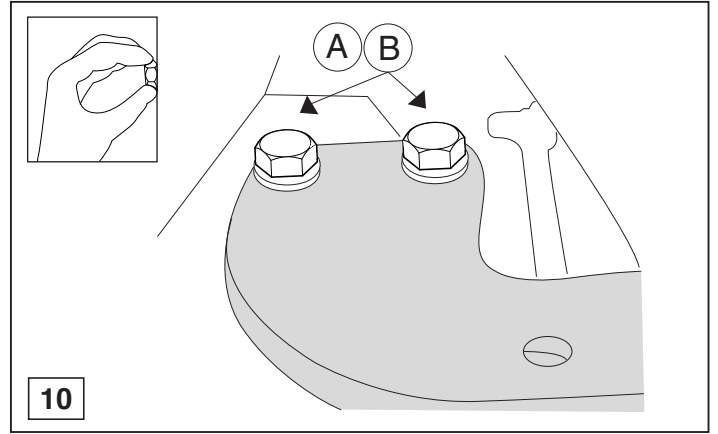
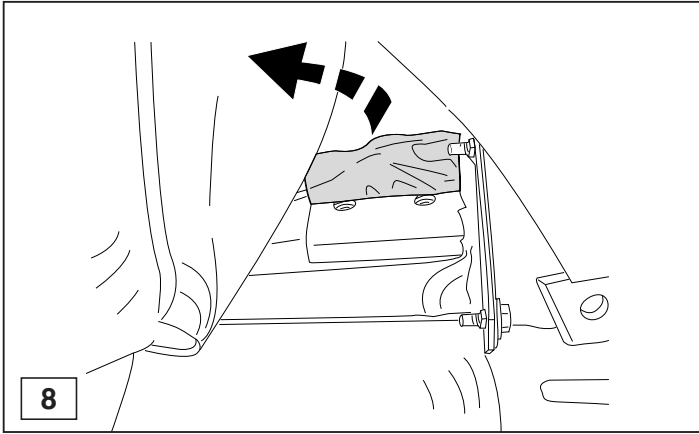
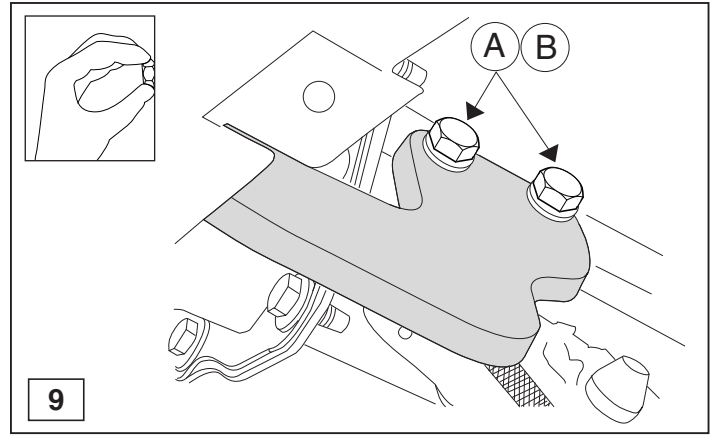
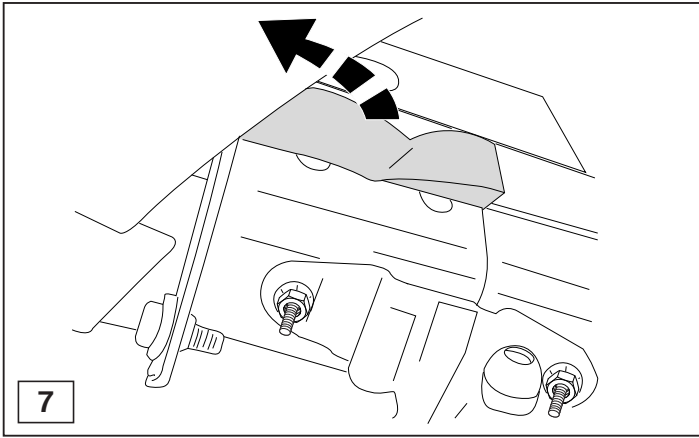


© 405770/28-01-2010/5

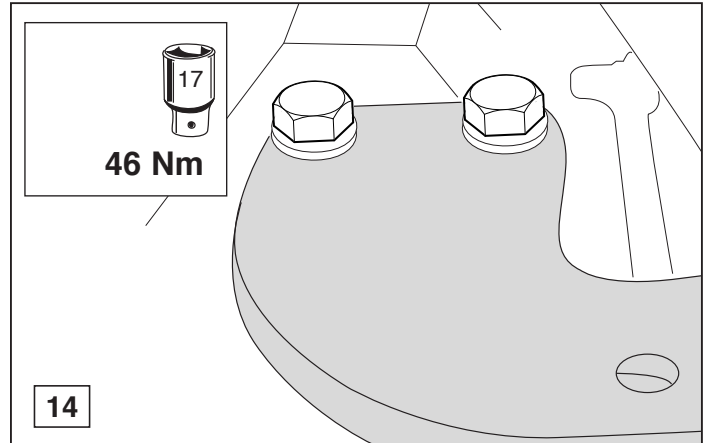
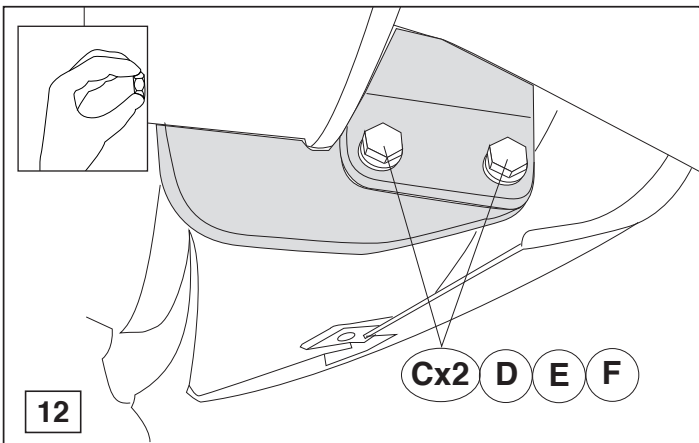
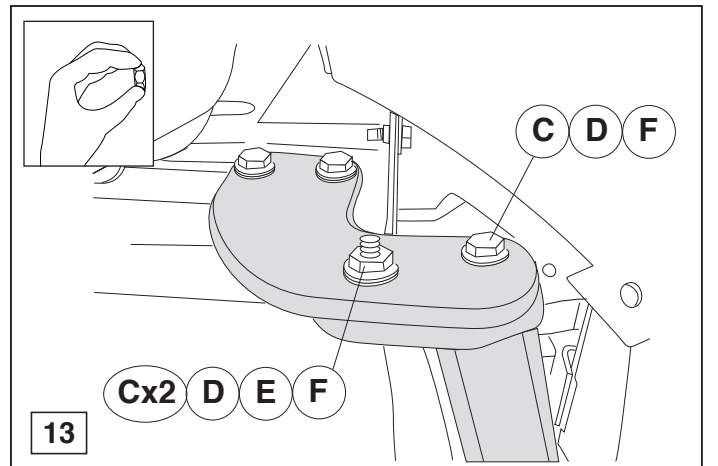
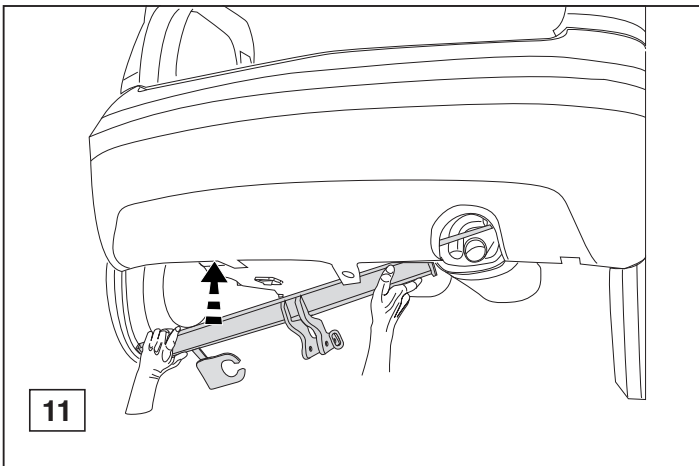


© 405770/28-01-2010/10





© 405770/28-01-2010/7



© 405770/28-01-2010/8

Template 4057

Place on outside bumper

