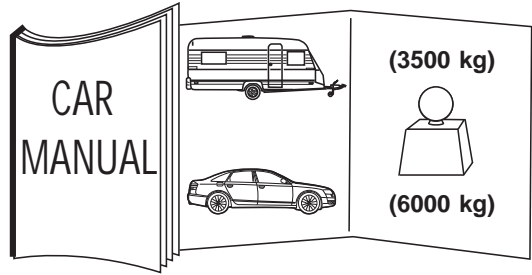


Konsol US



11 kg



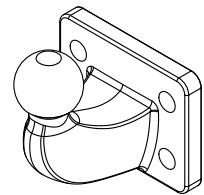
140 kg



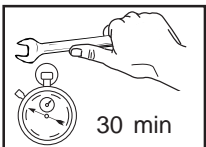
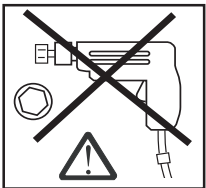
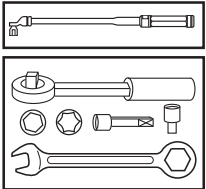
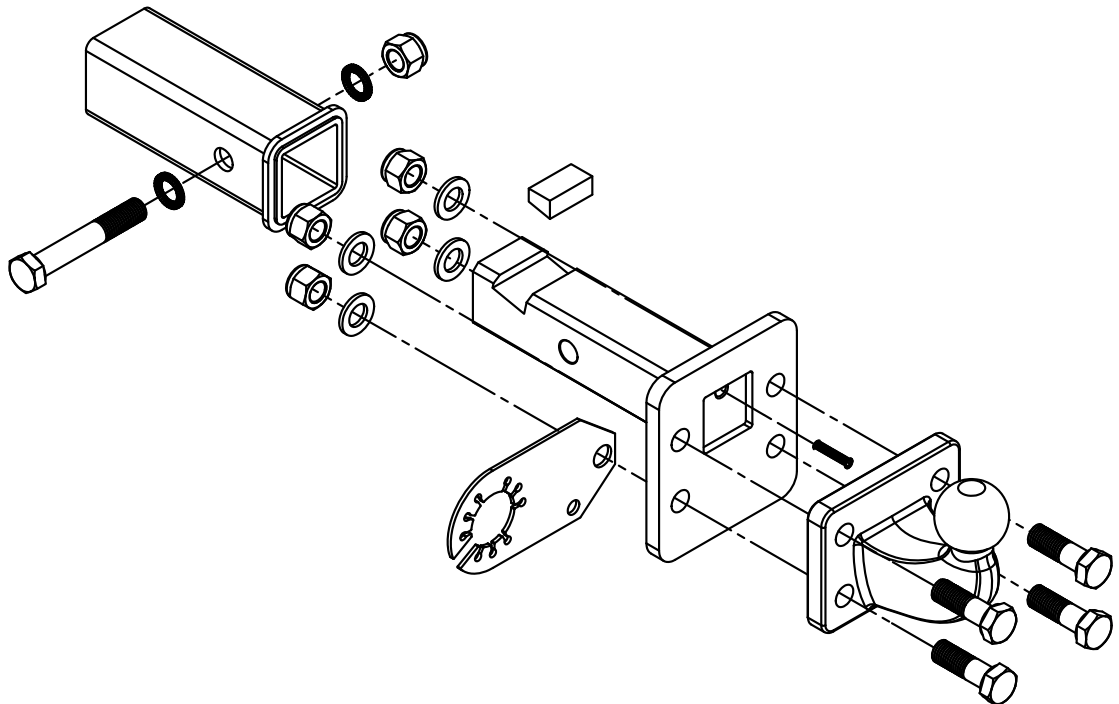
21,69 kN



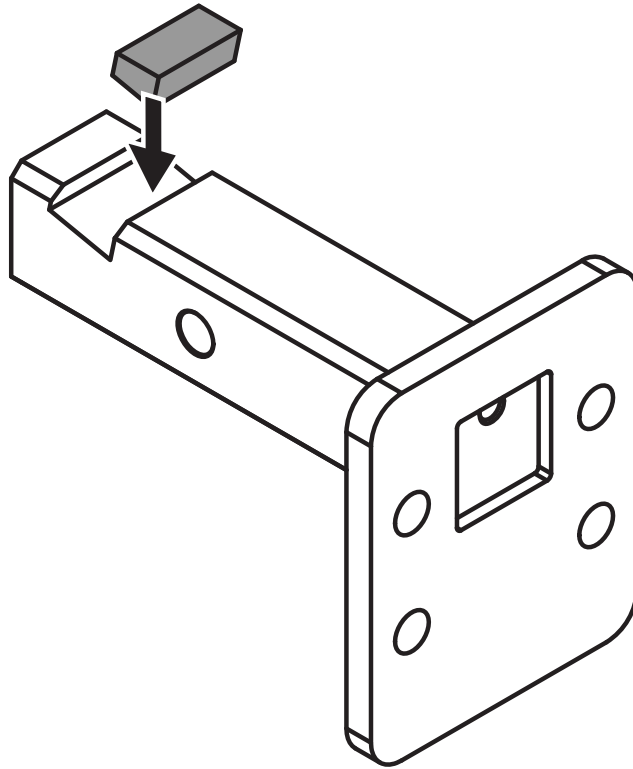
e4 00 4220



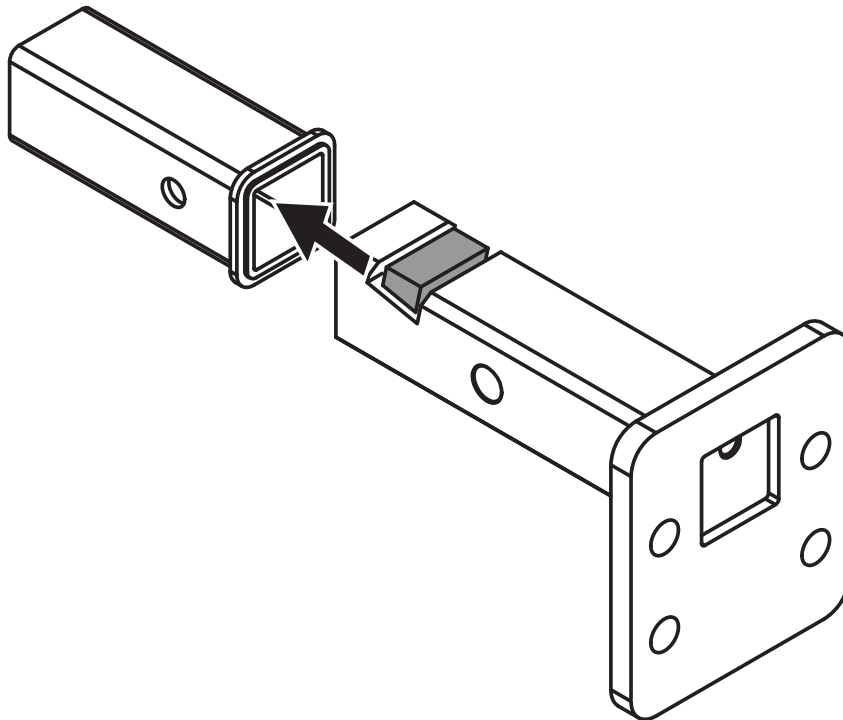
e4 00 2728



01

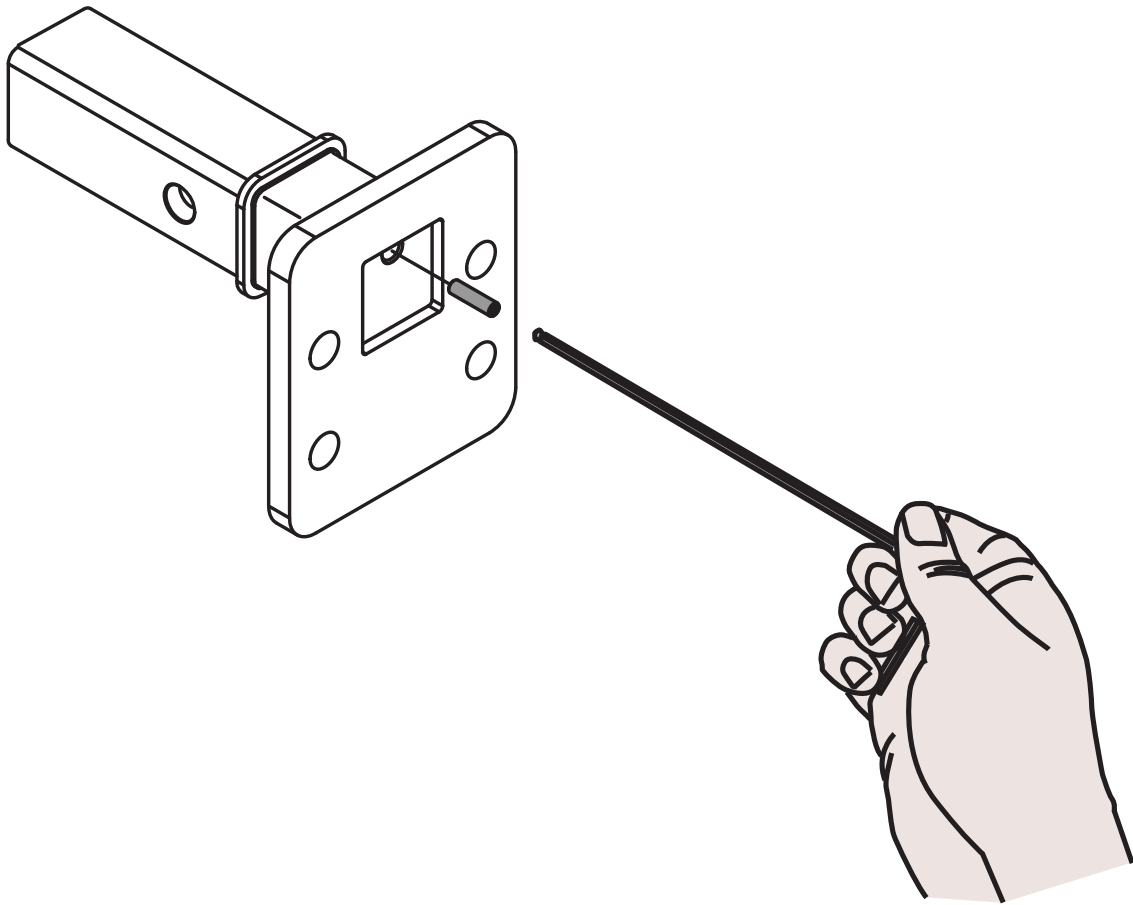


02

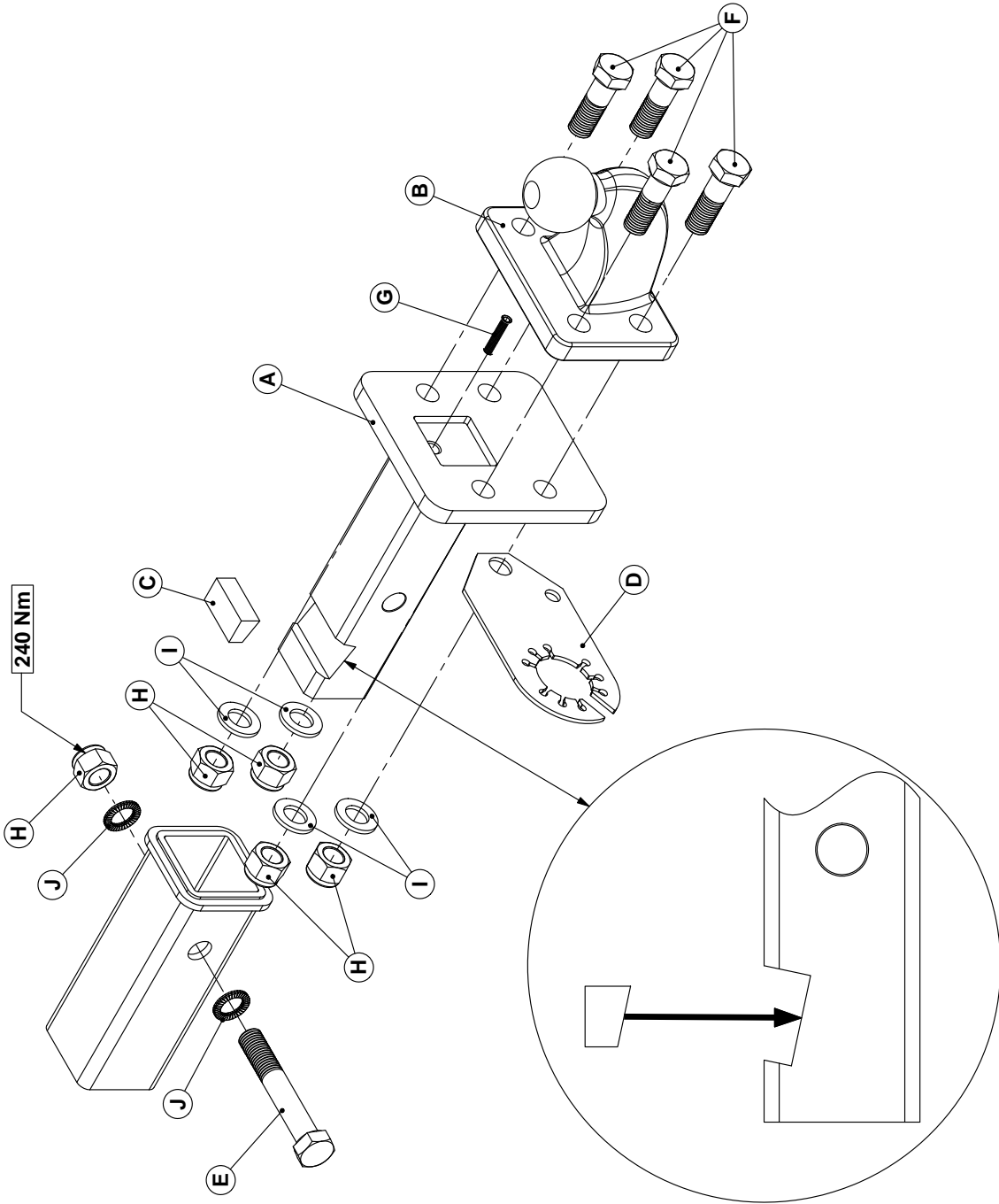




Screw/Nm	M6	M8	M10	M12	M14	M16
Class 8.8	9,9	24	48	83	132	200



Screw/Nm Class 8.8	M6	M8	M10	M12	M14	M16
	9,9	24	48	83	132	200



50.69	A	1x	FKS 2065	
	B	1x	50.06	
	C	1x	FFA 0051	
	D	1x	53.35	
	E	1x	M16x100 (8.8)	
	E	1x	M16x120 (8.8)	
	F	4x	M16x50 (8.8)	
	G	1x	MSK6SS.M08x30 (8.8)	
	H	5x	M16.lock (8)	
	I	4x	17x30x3	
	J	2x	MNLOC.16	
		1x	M32286-10	

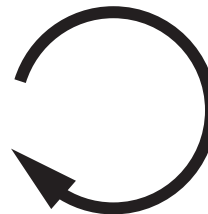
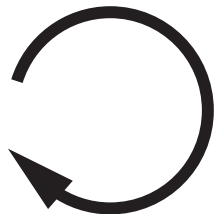
10 02 2011

05

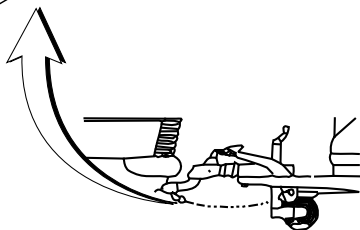
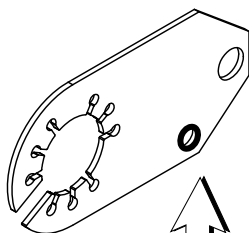
0 KM



1000 KM



06



07

